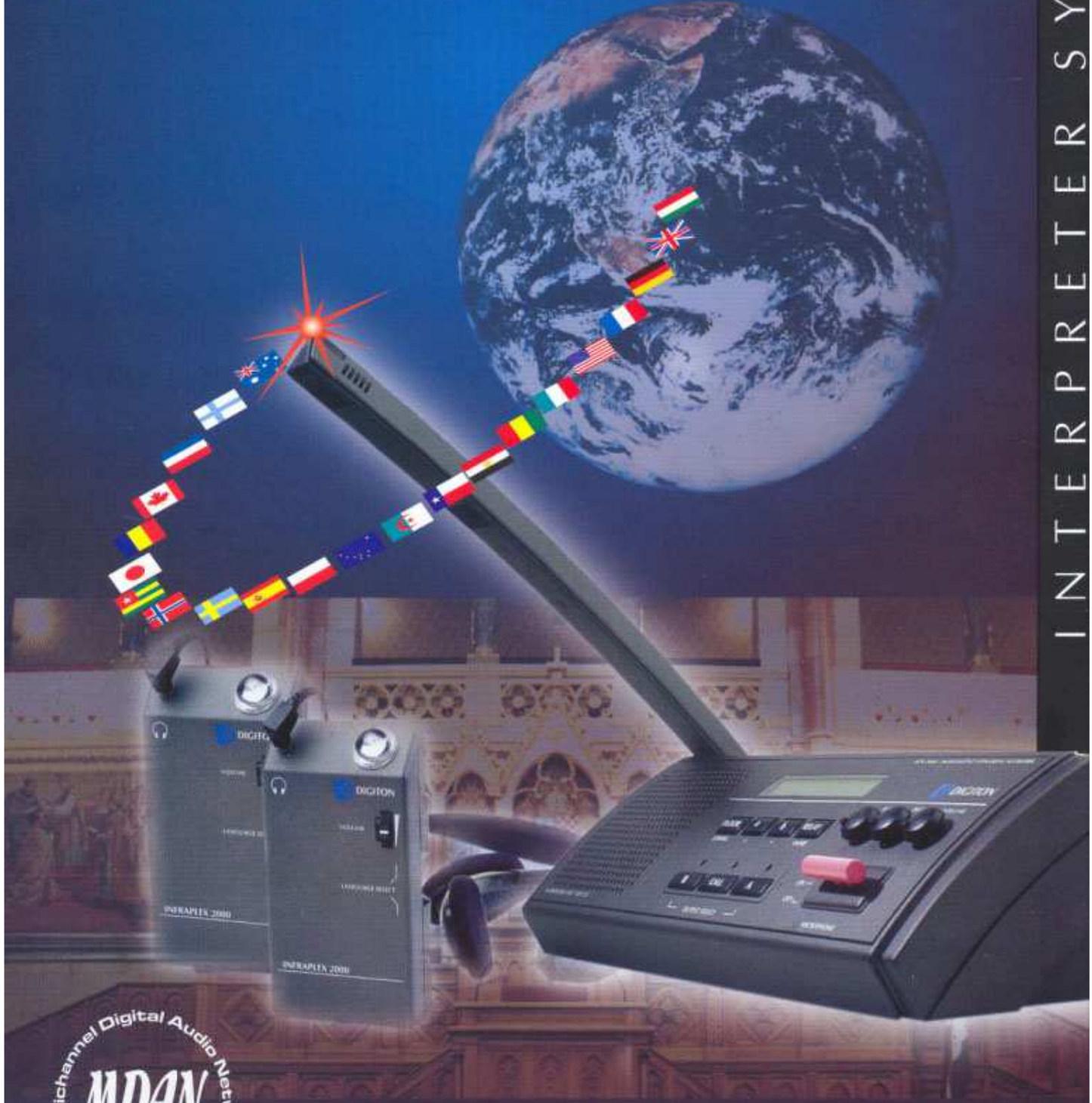


2005

INFRAPLEX

INTELLIGENT CONGRESS NETWORK

INTERPRETER SYSTEM



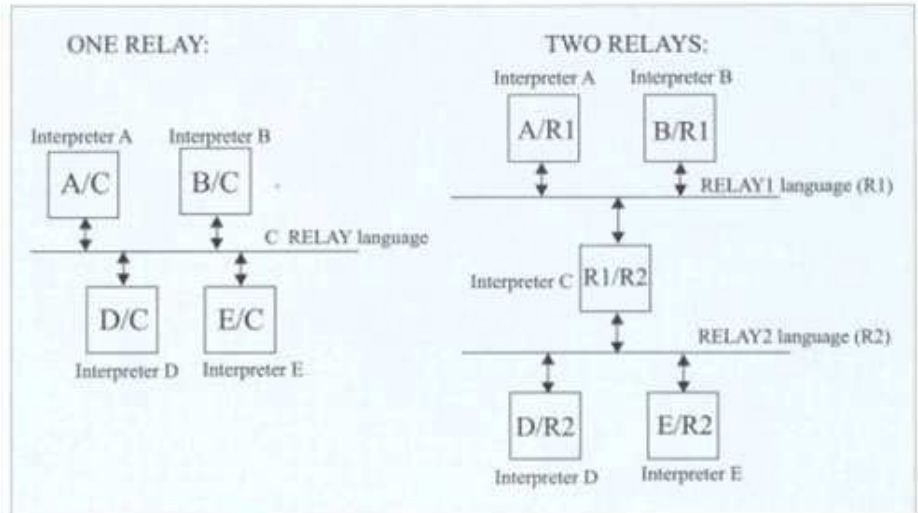
Multichannel Digital Audio Network
MDAN
76 bit, 48 kHz

2005 INFRAPLEX

INFRAPLEX 2005 WIRELESS INTERPRETER SYSTEM

The interpretation device is an indispensable technical accessory of multiple-language conferences the number of which is increasing as a result of the continuously expanding international relations. One of the best solutions for the requirements of our complex, modern age is the infrared, wireless interpretation system. The *INFRAPLEX 2005 interpreter system* is a modern device, which unifies the advantages of infrared signal transmission and digital communication, fulfilling various kinds of users' needs. During its development, the efficient service to the users and the thought-over consideration of the complex needs of today's conferences received special emphasis. The system provides a high-level technical assistance to both the participants and the interpreters and to the operating staff as well.

The INFRAPLEX 2005 system also supports interpretation in one or several leading languages (RELAY):



HEP 303 INTERPRETER'S UNIT

The services of the Interpreter's Unit of type *HEP 303* conform to the guiding European and general international standards. If there are several interpreted languages, the interpreter units are connected to the system in sequence. The digital information of the operating controls of the interpreter booths and the automatism of the control programme allow that the output and input language channels of the panels can be connected to the appropriate sound lines. The interpreter can hear either the current floor sound or the language that he / she has to translate to another language, on the headphones, depending on the interpretation situation. The language translated by the interpreter is transmitted from the microphone integrated into the device or from the microphone connected from the outside to the pre-configured channel. The **LCD (Liquid Crystal Display)** of the device provides the interpreter with information on the current output and input languages and the further optional operation alternatives.

The interpretation system insures the technical background of the simultaneous interpretation in up to 6+1 languages. The voice heard in the room can be transferred to the audience in up to 6 translated languages. One interpreter booth and a physical sound channel are connected to each language. The interpreter booths host two interpreters each for the translation of the language in question, based on international recommendations. In this way, two interpreter units of type *HEP 303* are necessary to each booth.



Operation controls and information devices:

- output and input language selection buttons
- three-positioned microphone switch (fix-positioned Off and On switch and Mute pause switch)
- two-colour LED prism showing the state at the end of the microphone lever
- sound level and two-way tone control
- emergency and „slow down” signal opportunities

The display:

In addition to the number of configured language channels the abbreviation of the languages can also be shown on the display. The factory installation includes the abbreviation of more than thirty languages but this can be freely supplemented upon special request. The interpreter panels include a micro-controller and a „non-volatile” memory, thus the pre-programmed language configurations can be easily loaded upon switch-on.

A closed-type pair of headphones is the basic accessory of the interpreter panel. A pair of headphones with microphone or clip-microphone can be ordered separately.



PEP 3001 BASIC UNIT

The PEP 3001 Basic Unit is the synchronisation unit of the system. The interpreter panels and the infrared transmitters can be connected to it. It also has an audio input of microphone level and another audio input of line level. An audio corrector can be connected to its „Insert” input. The INFRAPLEX 2005 and ICN 2005 conference system can be connected to each other via the PEP 3001 Basic Unit. If the two systems are used together, the language channels of the room sound and the translated languages are shared, thus they can be heard on the channels of the same serial numbers.



AYP 3001, AYP 3002 INFRARED RADIATORS

The radiators can be mounted on support with brackets delivered as accessories, in the case of a system mounted on the wall or a mobile system. If necessary, they can also be recessed into suspended ceiling. An optional number of transmitters can be mounted one after the other because the transmitters have their own network supply unit each. The transmitters are connected together by a 50-Ohm coaxial cable. The area that can be transmitted - depending on the actual light and other internal decoration conditions - is 150-300 m² typically. Three information LED's (Light Emitting Diodes) support easier installation and operation control. The red LED provides information on network supply, the yellow LED informs on the existence of the multiplex signal and the green LED informs on the operation of infrared diodes. The AYP 3002 infrared transmitter is the duplicated version of AYP 3001 built into a shared housing, by which it is possible to transmit into 250-500 m².





AYP 307 RECEIVER

On the neutral channel of the infrared receivers of the conference participants the floor sound can be heard and on the other numbered channels, the interpreted languages can be heard. The assignment of the translated languages and channels can be set during the configuration of the **HEP 303** interpreter panels. With the AYP 307 infrared receiver the reception of 6 interpreted languages is insured in addition to the floor sound. The infrared receiver is not only able to receive directly transmitted infrared signals but also it is able to detect the signals reflected from the walls, floor and ceiling of the room. In a room where there is the necessary transmission, owing to the reflection, there is no point in the room where reception is not insured. The conditions of the room : the covering, the lighting, the windows and the shape of the room, influence the reception conditions. The receivers can be supplied either from cell or battery. In the case of normal usage from battery the AYP 307 operates for 2-3 days and it operates for 3-6 days if it is operated from cell. The LED of the infrared receivers blinks when the accumulator is flat. The infrared receivers turn off automatically in 30 seconds after the release of the infrared radiators. A pair of light, open headphones is the accessory of the infrared receiver.

The structure of the INFRAPLEX 2005 interpretation system is presented in figure 1. The connection to the sound amplification system is symbolised by a microphone. Figure 2 shows the INFRAPLEX 2005 system co-operating with the ICN 2005 conference system. When the two systems are connected, the interpreter panels are shared and the serial number of each language channels is identical with the serial number on the AYP 307 infrared receiver and on the HEP 301.. participant unit.

ETT 350 CHARGING-STORAGE CASE

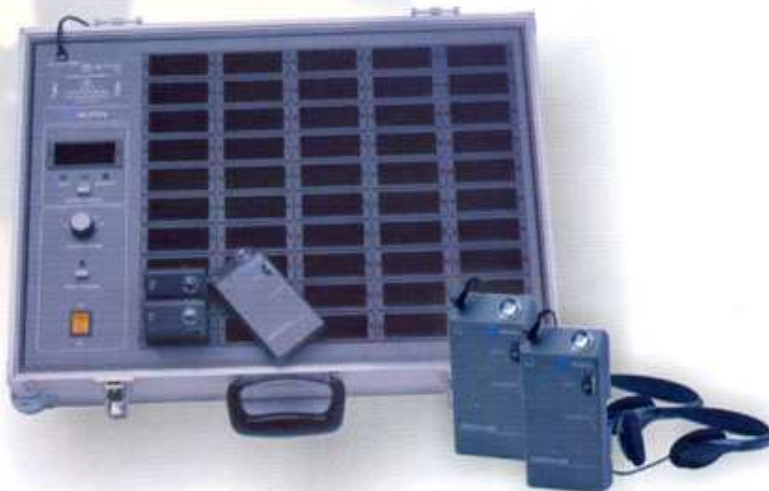
A charging-storage case of type ETT 350 serves the storage of receivers and the charging of batteries. There is enough space for 50 pieces of receivers in the bag. The charger bag monitors the charging level of the batteries as an infrared receiver and it sets the optimal charging current for each battery. Thus, it is suitable for charging batteries in various charging states optimally and fast. In the case of continuous usage, the receivers must be recharged every two or three days.

Technical specification:

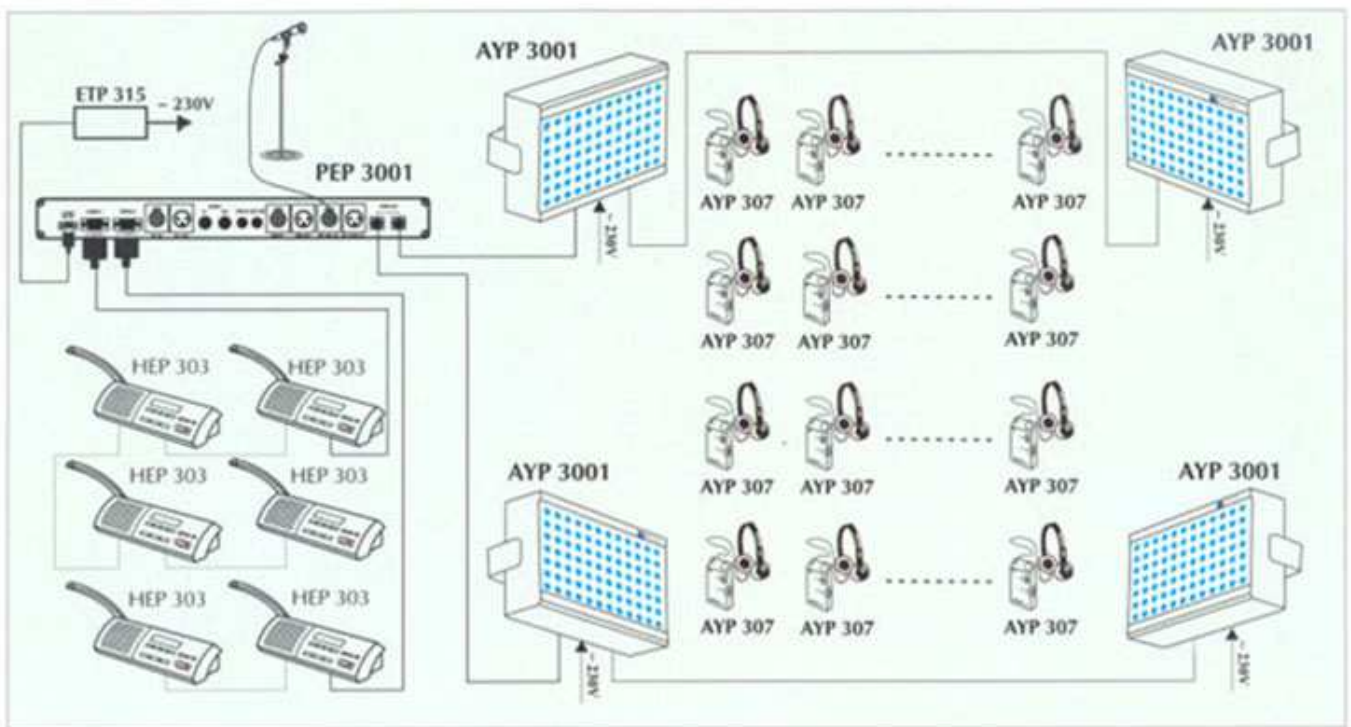
- Maximal number of channel: 7
- Band width of the headphone signal: 100 - 12500 Hz
- Axial infrared efficient range AYP 3001/AYP 3002: 90m /140 m
- Infrared transmitting power AYP 3001/AYP 3002: 10W/18W
- Continuous operation time of the infrared receiver:
 - with accumulator: 16-24 h*
 - with alkaline cell 30-60 h**

* Depending on the reception conditions and the sound level

** Depending on the reception conditions, sound level and the type of the cell



INFRAPLEX 2005 INTERPRETER SYSTEM (FIG. 1.)



INFRAPLEX 2005 WITH ICN 2005 CONFERENCE SYSTEM (FIG. 2.)

